

READ THESE INSTRUCTIONS BEFORE BEGINNING INSTALLATION

Designed to provide portable temporary air purification to any large space of up to 18,000 square feet. With a robust handle and hard rubber feet, the Stand-Alone Air Purifier is perfect to meet any changing air quality demands in a variety of locations.

INSTALLATION

Simply set up in a home or office by placing the device on a desk or the floor and plugging up directly to the wall outlet. For a more permanent solution use our optional mounting kit (ION-E-KIT). More information on page 2.

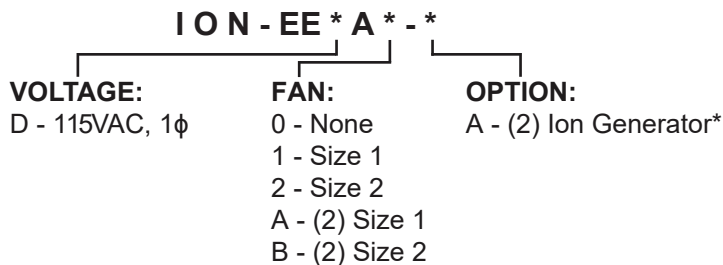


MAINTENANCE

*Note: 61% made in America

A small cleaning brush (GNP-0148) is included for easy, routine maintenance. This should be done as the ion brushes become dirty.

⚠ (Be sure to follow all local and electrical codes. Turn off power to the unit before mounting or making any connections.)



*Note: The (2) Ion Generator Option is only available with Fan 0 - None.

- Inline C-Class Fusing: 500mA @ 24V.
- Green LED will illuminate when powered and operating.

35 inch red = Positive (HVAC "G" Terminal)
35 inch black = Neutral or Ground (HVAC "C" Terminal) or chassis in case of furnace

Inline C-Class Fuse



UL STD 867
CAN/CSA
STD C22.2

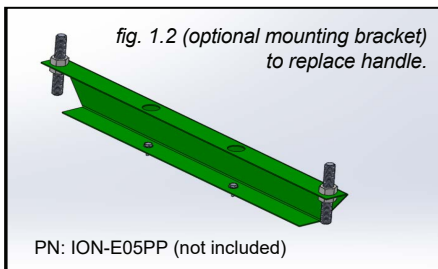
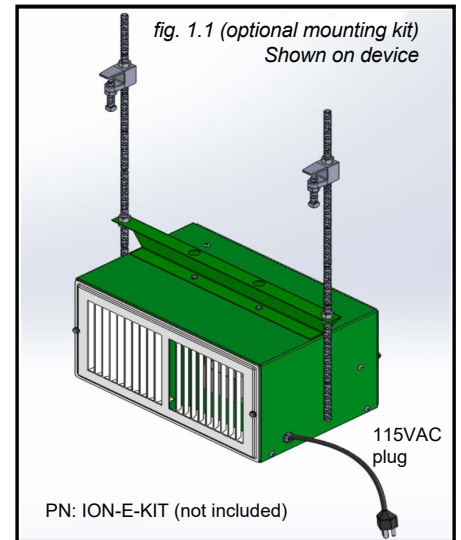


File# 101141865COL-003

OPTIONAL MOUNTING KIT INSTALLATION

The optional mounting kit (ION-E-KIT) is used to hang the device from a beam in the ceiling [figure 1.1]. The kit includes two 3/8" x 2' allthread rods and beam clamps.

Secure the beam clamps 15" center-to-center apart and fasten the allthread rods through them.



Remove the handle from the top of the unit by unfastening the two self-tapping screws. Attach the mounting channel [figure 1.2] with the #8x1/2" self-tapping screws provided into the now vacant holes. Adjust the standalone air purifier to the desired height and secure in place by tightening two hex nuts along the allthread rods on both sides of the top flange.